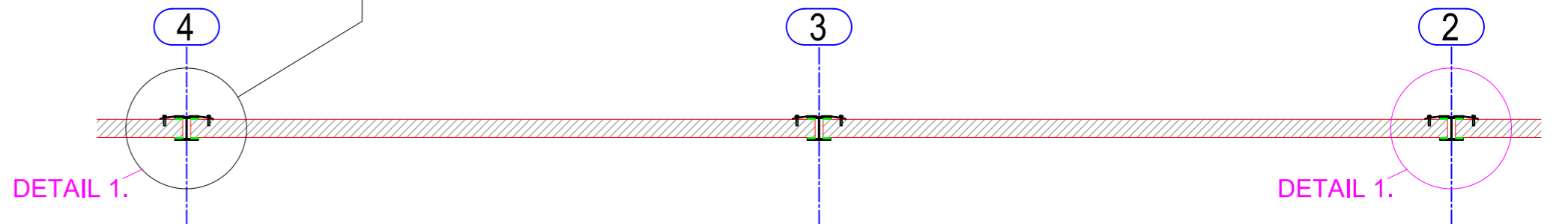
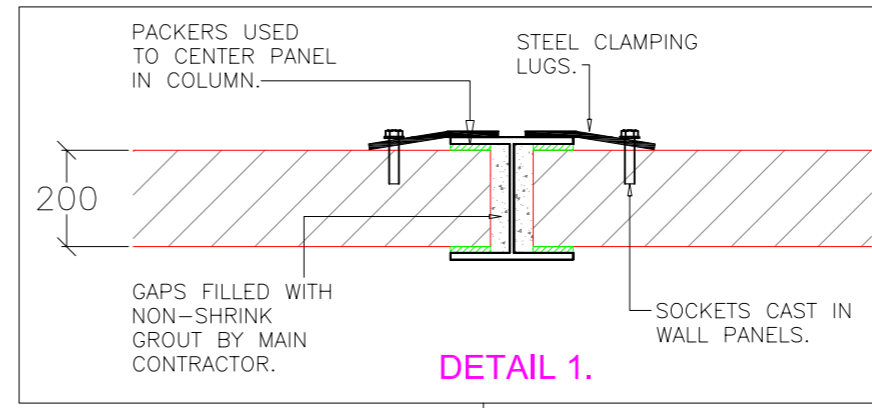
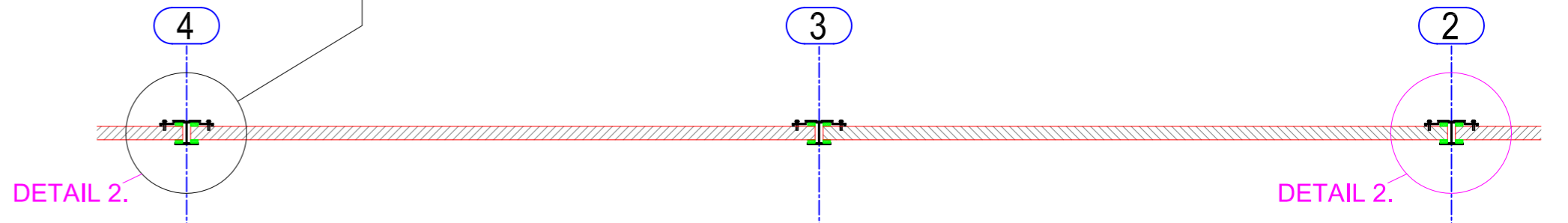
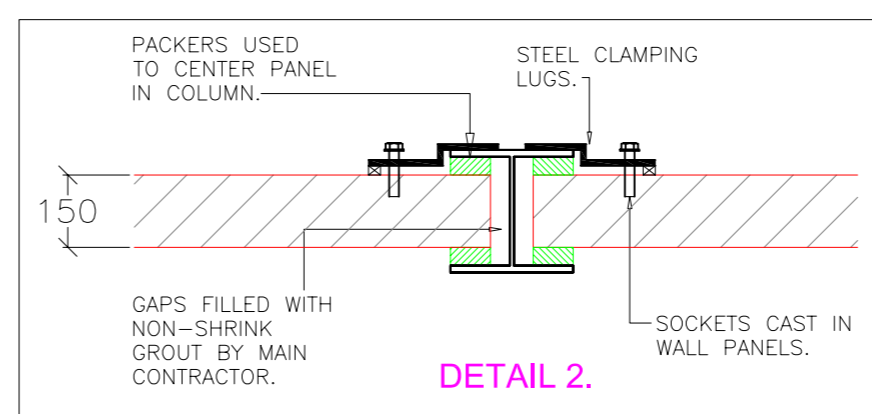


TYPICAL ELEVATION

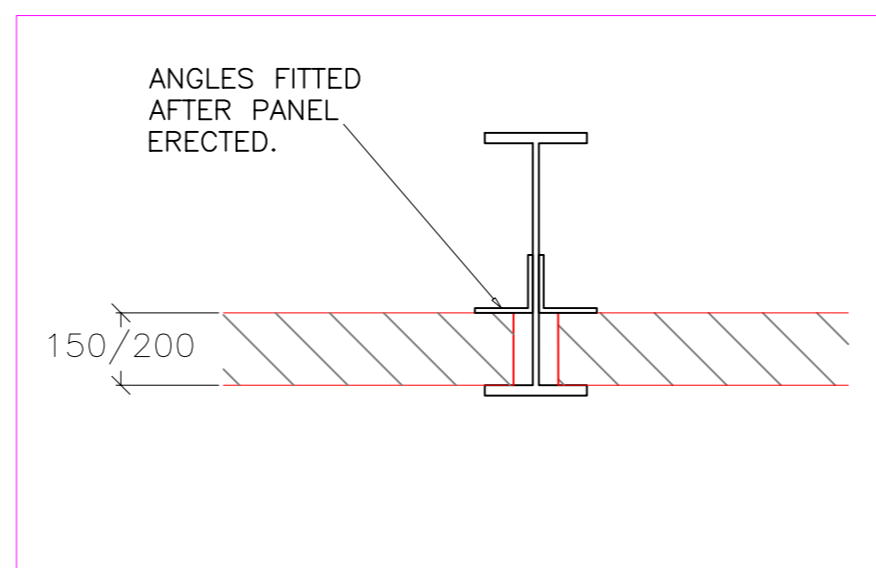
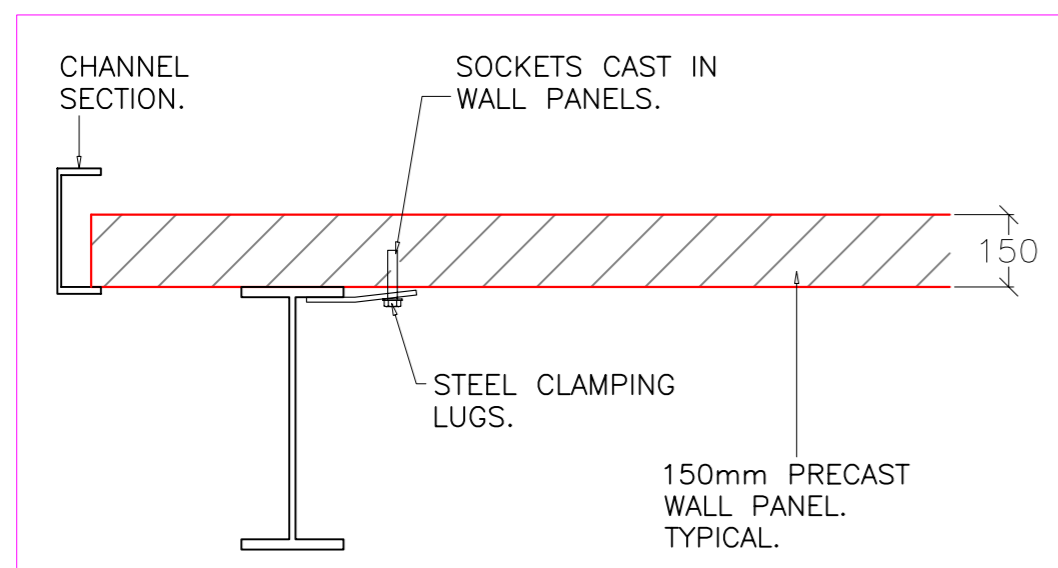
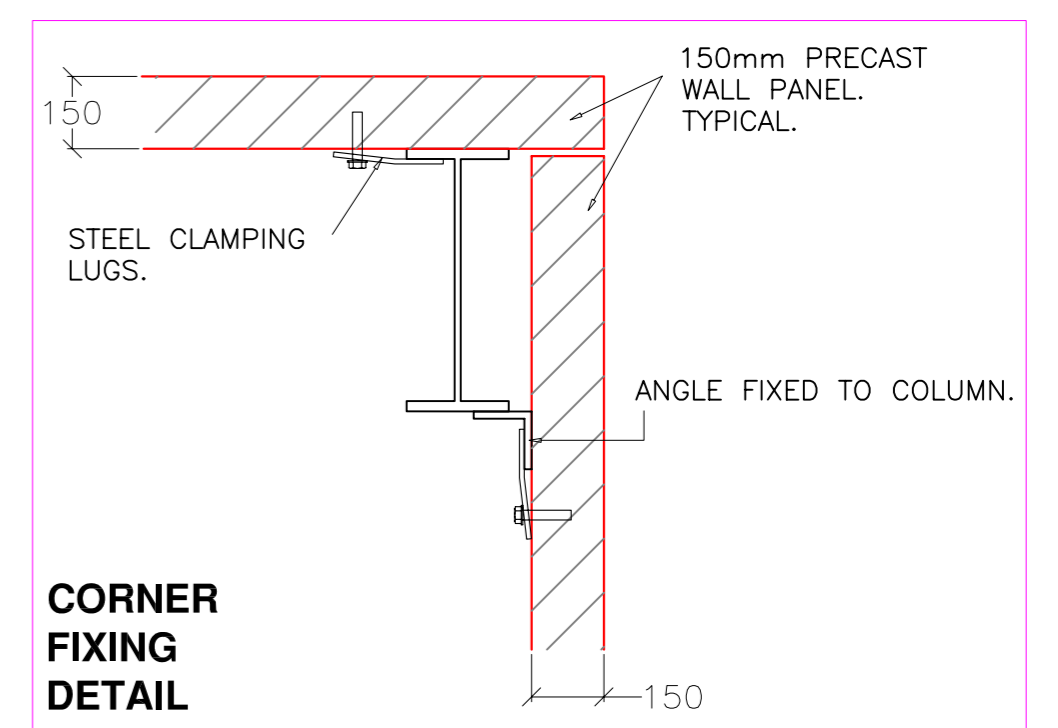
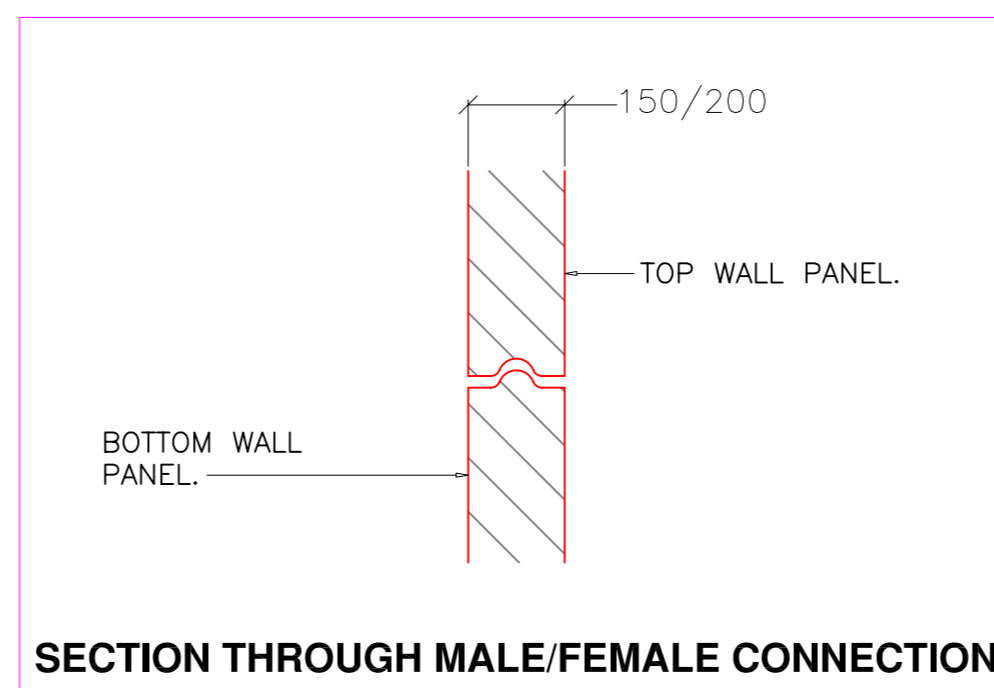
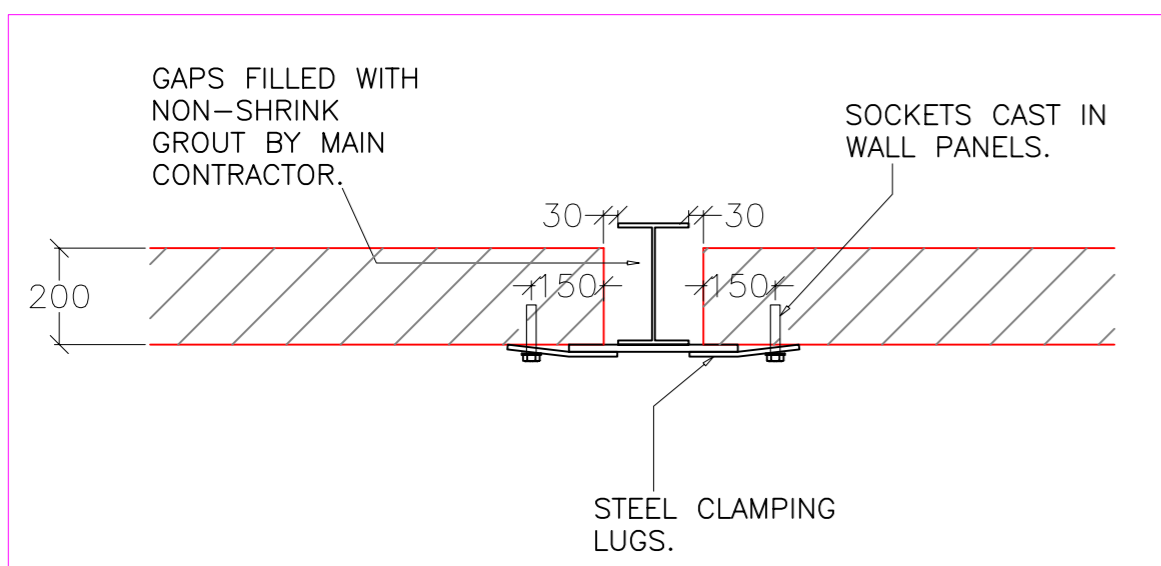


PLAN VIEW OF 200mm PANELS



PLAN VIEW OF 150mm PANELS

ALTERNATIVE CONNECTION DETAILS TO SUIT VARIOUS CONDITIONS



Flood
FLOOD FLOORING LTD
 HEAD OFFICE: HILLTOWN, OLDCASTLE, CO. DUBLIN 14. TEL: 049 8541477, FAX: 049 8541311
 DUBLIN OFFICE: UNIT F4, NUTGROVE OFFICE PK, NUTGROVE AVE, RATHFARNHAM, DUBLIN 14. TEL: 01 2983705, FAX: 01 2983729
 ENGLAND OFFICE: 3 COPPY NOOK LANE, HAMMERWICH, BURNTWOOD, STAFFS, WS7 0LL. TEL: 07900 827250, FAX: 01543 677121
 E-mail: info@floodflooring.com
 Web: www.floodflooring.com

**INDUSTRIAL
 WALL
 PANEL
 DRAWINGS
 AND
 DETAILS**